



# N105

Intel Alder Lake-N Platform Processor



CPU	
CPU	Intel® 12th Gen (Alder Lake N ) Celeron™ Processors
TDP	Up to 15W

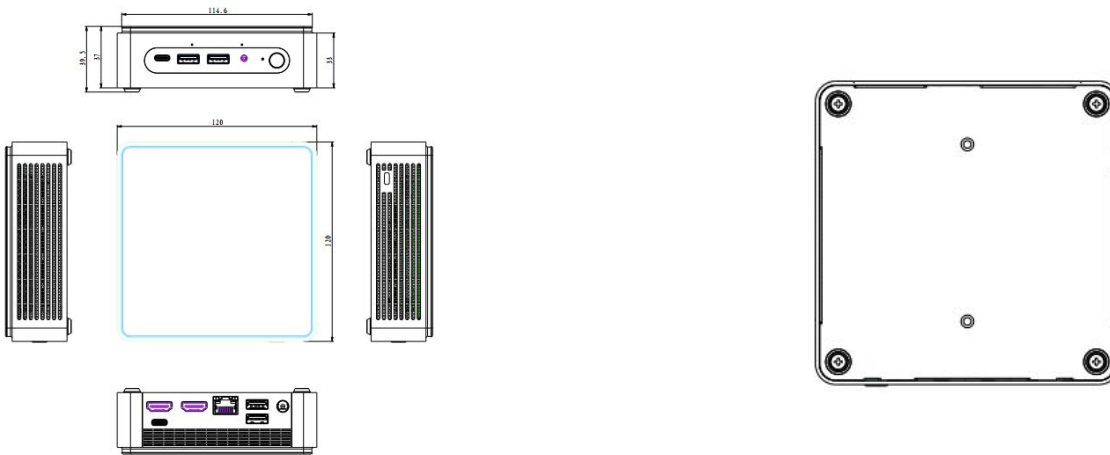
Display	
Graphic card	Intel® UHD Graphics
Multi displays	Support 3 Displays
Interface	2 x HDMI-Out, 1 x DP (from TYPE-C)

System	
Memory	1 x SODIMM DDR4 3200Mhz, Max 16GB
Storage	1 x M.2 Key M 2280 for NVME/SATA SSD
OS	Windows 11/Linux
WatchDog	Support
Auto Power On	Support
RTC	Power on at specific time everyday
Power Input	19v DC-In (2.5/5.5 DC Jack)
Dimension	120mm(L) x 120mm(W) x 37mm(H)
Operating Temp.	0~40°C
Operating Humidity	10%~90% non-condensing
Storage Temp	-20~70°C
Operating Humidity	5%~95% non-condensing

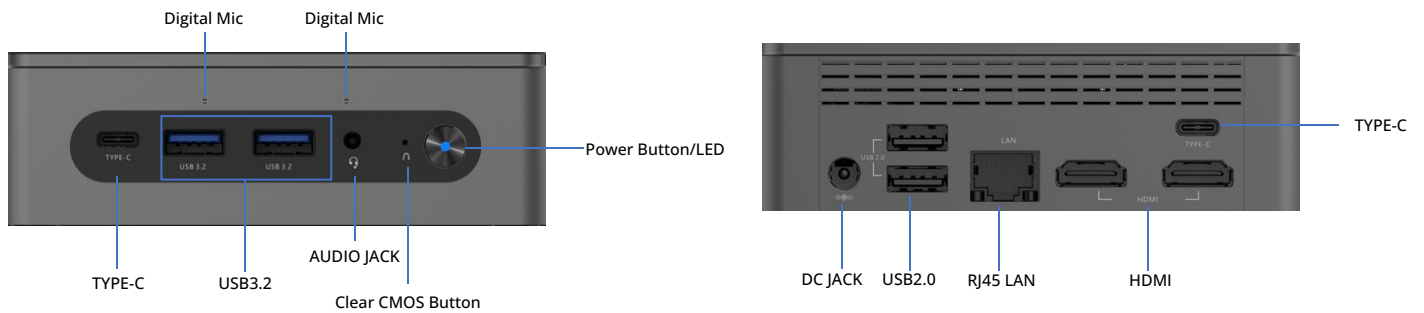
Network	
Lan IC	1 x Realtek Lan IC
Lan Interface	10/100/1000Mbps
Lan Connector	1 x RJ45 Port
Wireless Type	WIFI5
Wireless Interface	M.2 2230 Key E With PCIe,USB2.0
4G/5G	N/A

I/O interface	
Serial Port	N/A
USB	2 x USB3.2 (Gen2) , 2 x USB2.0, 2 x TYPE-C (USB3.2 Gen2)
Button	1 x PowerButton, 1 x Clear CMOS Key
SIM CARD	N/A
AUDIO	1 x 3.5mm Audio Jack (2 In 1)
POWER	1 x 2.5/5.5 DC-IN Connector

## DIMENSIONS



## I/O VIEW



MODEL	DESCRIPTION
N105-A	I3-N305 /DDR4 16GB /1TB SSD/2*USB3.0/2*USB2.0/1*RJ45/1* INTEL 3165 WIFI
N105-B	N95 /DDR4 8GB /512GB SSD/2*USB3.0/2*USB2.0/1*RJ45/1* INTEL 3165 WIFI
N105-C	N100 /DDR4 4GB /128GB SSD/2*USB3.0/2*USB2.0/1*RJ45/1*INTEL 3165 WIFI

SPECIES	PACKAGE LIST
Adapter	x 1
User Manual	x 1
Wall-mounting	x 1