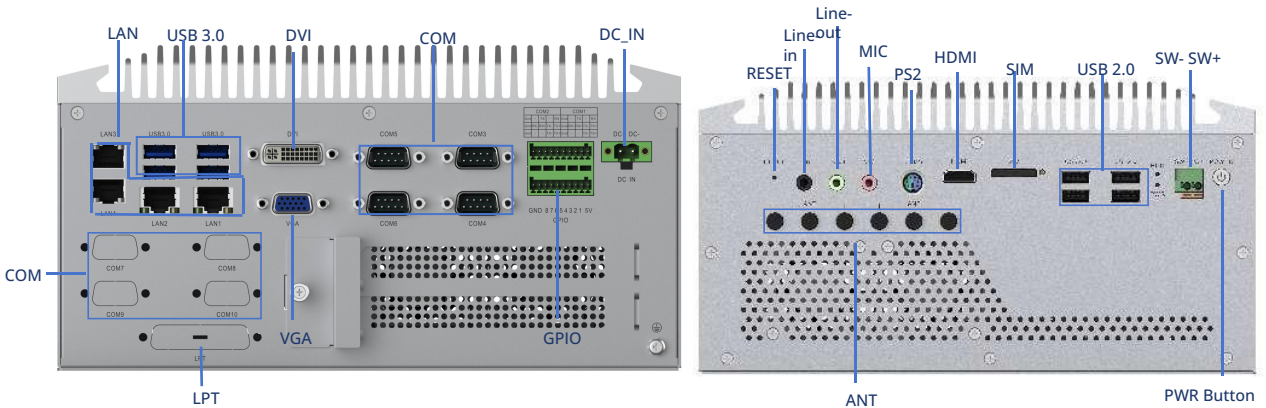




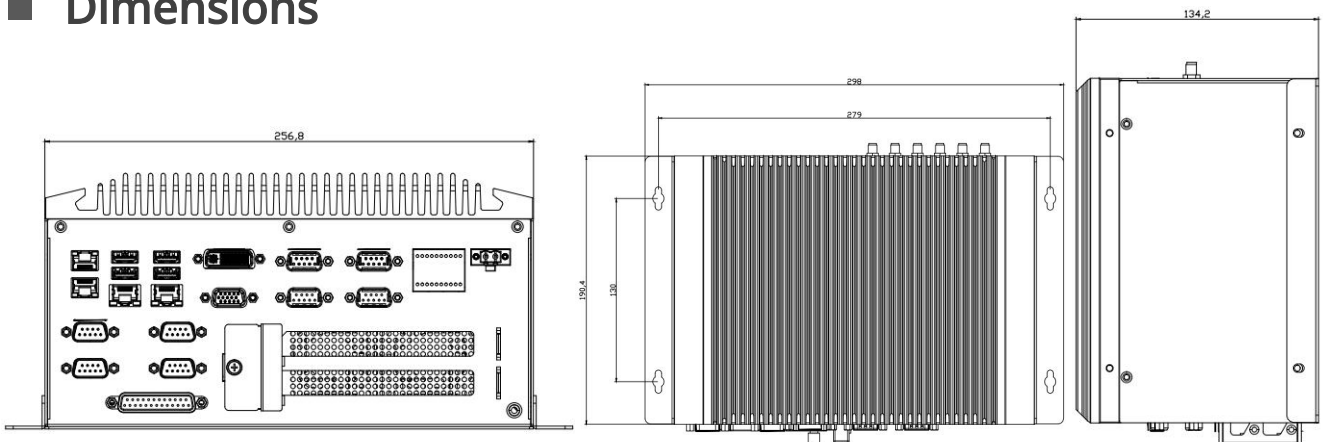
### Features

- LGA1151 Gen 6th/7th/8th/9th Core™i3/i5/i7Pentium®/Celeron®Processor, TDP 35W CPU
- Dual DDR4 SO-DIMM slot, Max 32GB
- VGA/DVI/HDMI
- 6xCOM (up to 10)
- 4xLAN, 8bit GPIO
- 4xUSB3.0, 4xUSB2.0
- Support PCI/PCIe/Mini PCIe
- 12V~30V, DC-in

### Product View



### Dimensions



System	Processor	LGA1151 Gen 6th/7th/8th/9th Core™i3/i5/i7Pentium®/Celeron®Processor, TDP 35W CPU
	Chipset	H110/C236 (C236 support E3 V5&V6 CPU, tripple Displays, SATA Raid)
	BIOS	AMI UEFI/Legacy BIOS
	Memory	2xDDR4 2133/2400/2666MHz SO-DIMM, up to 32GB
	OS	Win7/Win10/WES7/Linux
I/O interface	USB	4xUSB3.0, 4xUSB2.0, 1xUSB2.0Type A(intrenal)
	Serial	6xCOM, COM1&2 supports RS232/422/485 (Phoenix terminal), COM3~6 supports RS232 (DB9 interface) 4x RS232 or 4xRS422/485 serial ports(Optional)
	GPIO	8bit GPIO
	PS2	1xPS/2 can be connected to keyboard and mouse
	LED	1xPower, 1xHDD
Expansion	PCIe/M.2/Mini-PCIe	1xMini-PCIe ; 1xM.2 B-Key 3042/3052 (via Nano-SIM, H110:4G& C236:4G/5G) 1*PClEX16+1*PCI or 1*PClEX16+1*PClEX1(C236 :x4) or 2PCI
	eSPI/LPC/SM BUS/I2C	1x4Pin SM Bus interface, LPC bus can expand TPM, TCM encryption module, serial port module
Graphics	Graphics Processor	Intel CPU integrated display controller (depending on the CPU)
	Interface	VGA/DVI-D/HDMI H110 Support dual displays/C236 Support triple displays
Storage	SATA/M.2 /mSATA	2xSATA3.0 support 2.5" HDD/SSD (C236 support Raid0,1),1xmSATA, 1xM.2 2242/2280 SATA SSD (C236 support nVME x4)
Audio	Audio IC	Realtek ALC897
	Audio Interface	1xMic-in, 1xLine-out, 1xAudio-Out
Ethernet	LAN IC	1xi219LM, 3xi210AT
	Interface	4xRJ45
Power	Power Input	12V~30V, DC-in
	Power Interface	2-Pole Phoenix DC plug in
Others	Watchdog Timer	1 to 255 sec./min. per step
Mechanical	Dimensions	257mm(W)×191mm(D)×134mm(H)
	Weight	4.64KG N.W.
	Mounting	Desk/Wall-mounting
Environment	Operating Temp.	With ordinary temperature memory and storage: 0°C ~ 45°C With wide temperature memory and storage: -10~60°C
	Storage Temp.	-40~85°C
	Humidity	10%~85% Humidity, non-condensing
	Shock	With SSD: 15G, IEC 60068-2-27, half sine, 11ms duration
	Vibration	With SSD:2Grms, IEC 60068-2-64, random, 5~500Hz, 1 hr/axis

## Ordering Information

Model	PCH	Display	LAN	USB 3.0	USB 2.0	COM	Storage	mPCIe	PCIe	PCI
JEC-2702-H110-2P	H110	3	4	4	4	6(upto 10)	2SATA3.0, 1mSATA, 1M.2	1	0	2
JEC-2702-H110-1E1P	H110	3	4	4	4	6(upto 10)	2SATA3.0, 1mSATA, 1M.2	1	1	1
JEC-2702-H110-2E	H110	3	4	4	4	6(upto 10)	2SATA3.0, 1mSATA, 1M.2	1	2	0
JEC-2702-C236-2P	C236	3	4	4	4	6(upto 10)	2SATA3.0, 1mSATA, 1M.2	1	0	2
JEC-2702-C236-1E1P	C236	3	4	4	4	6(upto 10)	2SATA3.0, 1mSATA, 1M.2	1	1	1
JEC-2702-C236-2E	C236	3	4	4	4	6(upto 10)	2SATA3.0, 1mSATA, 1M.2	1	2	0

## Packing List

Part Number	Description	Quantity
JEC-2702	JEC-2702 barebone system	1
300600000184	Adapter ,180W,100V ~ 240V AC Input,19.5V,9.23A,Phoenix terminal, 2Pin	1
301800000977	Power Cable,150cm	1
301800000673	SATA cable	1
301700001618	Phoenix terminal, 10Pin	2
NA	screw kit	1
302300003113	Wall mount kit	2
302300003114	Wall mount kit	2

## Optional Accessories

Part Number	Description
100100000286	MIO-LPC4COM,V1.0, LPC extension with 4 RS232 serial port modules
100100000287	MIO-LPC4RS485,V0.2, LPC extension with 4 RS422/485 serial port modules
200200000349	LPC-TPM,V0.1(SLB9665TT2.0), LPC Extended to TPM Module
200200000013	E2P-1E1P, 1PCIex16+1PCI riser card
200200006280	E2P-2P, 2PCI riser card
200200000139	JW-A1416 (X16+X4), 1PCIex16+1PCIex4 riser card