

JEC-2701

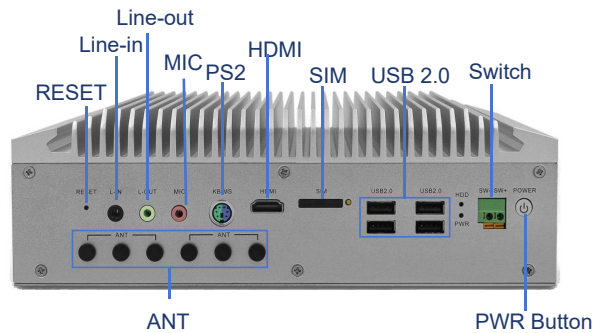
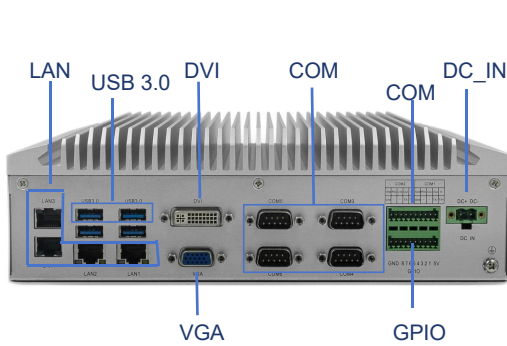
Intel® Sky Lake
Fanless Computing System



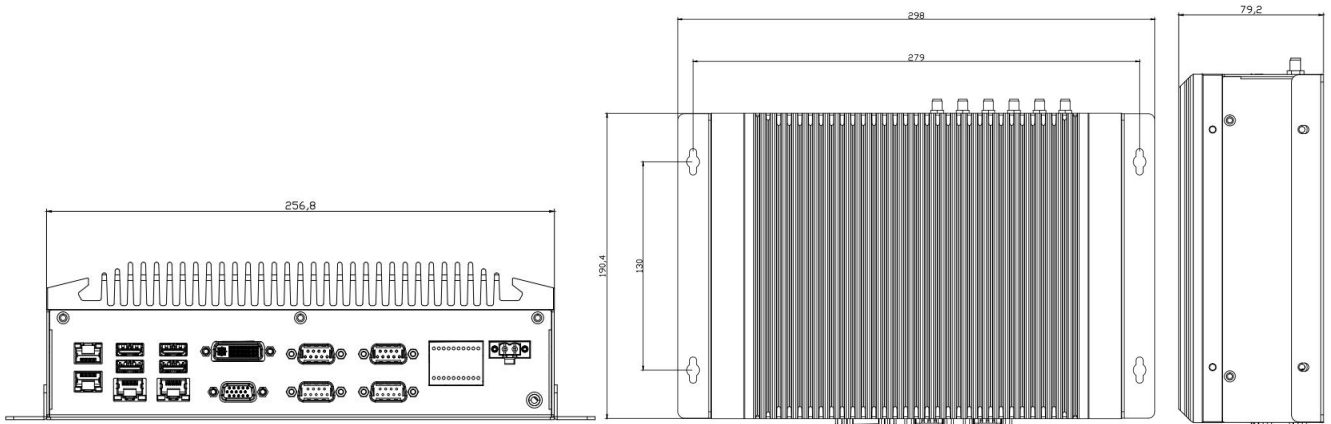
Features

- LGA1151 Gen 6th/7th/8th/9th Core™i3/i5/i7Pentium®/Celeron® Processor, TDP 35W CPU
- Dual DDR4 SO-DIMM slot, Max 32GB
- VGA/DVI/HDMI
- 4xLAN, 2xRS232/422/485,4xRS232
- 8bit GPIO
- 4xUSB3.0, 4xUSB2.0
- 12V~30V, DC-in

■ Product View



■ Dimensions



System	Processor	LGA1151 Gen 6th/7th/8th/9th Core™i3/i5/i7Pentium®/Celeron®Processor, TDP 35W CPU
	Chipset	H110/C236 (C236 support E3 V5&V6 CPU, tripple Displays, SATA Raid)
	BIOS	AMI UEFI/Legacy BIOS
	Memory	2xDDR4 2133/2400/2666MHz SO-DIMM, up to 32GB
	OS	Win7/Win10/WES7/Linux
I/O interface	USB	4xUSB3.0, 4xUSB2.0, 1xUSB2.0Type A(intrenal)
	Serial	6xCOM, COM1&2 supports RS232/422/485 (Phoenix terminal), COM3~6 supports RS232 (DB9 interface)
	GPIO	8bit GPIO
	PS2	1xPS/2 can be connected to keyboard and mouse
	LED	1xPower, 1xHDD
Expansion	PCIe/M.2/Mini-PCIe	1xMini-PCIe ; 1xM.2 B-Key 3042/3052 (via Nano-SIM, support 4G/5G module) (H110:4G& C236:4G/5G)
	eSPI/LPC/SM BUS/I2C	1x4Pin SM Bus interface, LPC bus can expand TPM, TCM encryption module, serial port module
Graphics	Graphics Processor	Intel CPU integrated display controller (depending on the CPU configuration)
	Interface	VGA/DVI-D/HDMI H110 Support dual displays/C236 Support triple displays
Storage	SATA/M.2/mSATA	2xSATA3.0 support 2.5" HDD/SSD (C236 support Raid0,1), 1xmSATA, 1xM.2 2242/2280 SATA SSD (C236 support nVME x4)
Audio	Audio IC	Realtek ALC897
	Audio Interface	1xMic-in, 1xLine-out, 1xAudio-Out
Ethernet	LAN IC	1xi219LM, 3xi210AT
	Interface	4xRJ45
Power	Power Input	12V~30V, DC-in
	Power Interface	2-Pole Phoenix DC plug in
Others	Watchdog Timer	1 to 255 sec./min. per step
Mechanical	Dimensions	257mm(W)×191mm(D)×79mm(H)
	Weight	3.88KG N.W.
	Mounting	Desk-mounting
Environment	Operating Temp.	With ordinary temperature memory and storage: 0°C ~ 45°C With wide temperature memory and storage: -10~60°C
	Storage Temp.	-40~85°C
	Humidity	10%~85% Humidity, non-condensing
	Shock	With SSD: 15G, IEC 60068-2-27, half sine, 11ms duration
	Vibration	With SSD:2Grms, IEC 60068-2-64, random, 5~500Hz, 1 hr/axis

■ Ordering Information

Model	PCH	Display	LAN	USB3.0	USB 2.0	COM	Storage	mPCIe
JEC-2701-H110	H110	3	4	4	4	6	2SATA3.0, 1mSATA, 1M.2	1
JEC-2701-C236	C236	3	4	4	4	6	2SATA3.0, 1mSATA, 1M.2	1

■ Packing List

Part Number	Description	Quantity
JEC-2701	JEC-2701 barebone system	1
300600000183	Adapter ,90W,100V ~ 240V AC Input,19V,4.74A,10.5*2.5*20mm	1
301800000977	Power Cable,150cm	1
301800000673	SATA cable	1
301700001618	Phoenix terminal, 10Pin	2
NA	screw kit	1
302300003113	Wall mount kit	2
302300003114	Wall mount kit	2