

PAC-3010

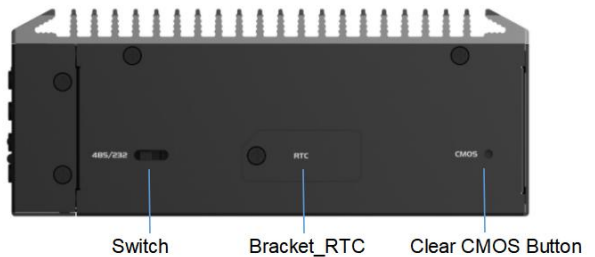
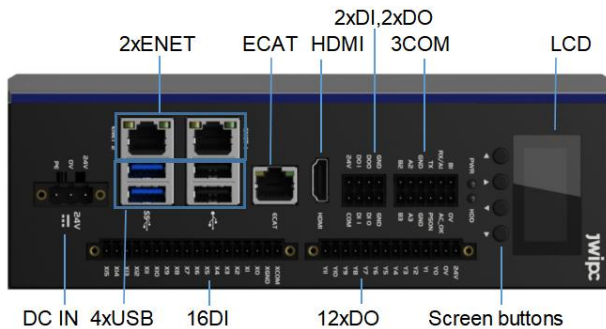
Intel® Celeron® Elkhart Lake J6412
Controller System



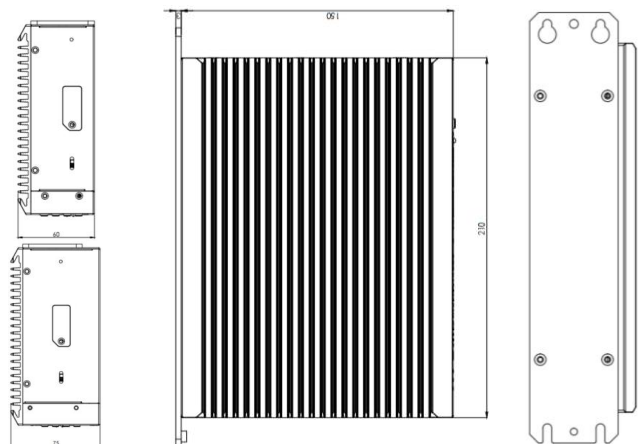
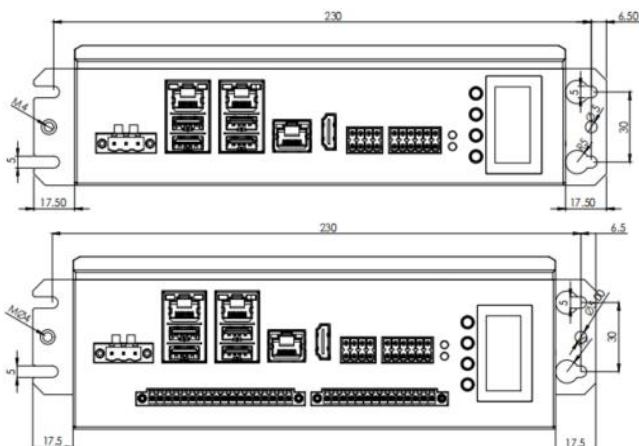
Features

- Intel J6412 SoC
- 1 x SODIMM DDR4 Memory, Max 32GB
- 1 x HDMI
- 2 x ENET, 1 x ECAT
- 2 x USB3.0, 2 x USB2.0
- 2 x RS485, 1 x RS232
- 1 x mSATA, 1 x mPCIe
- MB: 2DI&2DO, IO Card: 16DI&12DO
- Supports LCD modules with MCU
- DC IN 24V. Electrolytic capacitor inside

Product View



Dimensions



System	Processor	Intel® Celeron® Elkhart Lake J6412
	Chipset	Intel® Elkhart Lake SoC
	BIOS	AMI UEFI BIOS
	Memory	1xDDR4 3200MHz SO-DIMM, up to 32GB
	OS	Windows10, Linux
I/O interface	USB	2xUSB 3.0, 2xUSB 2.0, 2x USB2.0(via pinheader)
	Serial	2xRS485, 1xRS232(can change to RS485), Phoenix terminal
	DI/DO	DI*2 (With optocoupler isolation), compatible with NPN/PNP; DO*2 (With optocoupler isolation), NPN output
	LED	1xPower, 1xHDD
Expansion	Mini-PCIe	1x Mini-PCIe
Graphics	Graphics Processor	Intel®UHD Graphics 630
	Interface	1xHDMI,up to 4096*2160@24Hz
Storage	Storage Device	1xmSATA
Ethernet	LAN	2x ENET(Intel I226V&I210AT), 1x ECAT(I210AT)
Display	LCD	Monochrome 128x64 Dot Matrix Display, With up, down, back and confirm buttons
Power	Power Input	DC IN 24V, Electrolytic capacitor inside, 250ms Power-off Retention
	Power Interface	3-Pole Phoenix DC plug in
Others	IO Card	PAC-3010 without IO Card PAC-3011with IO Card: 16 bit DI with optocoupler isolation, compatible with NPN/PNP 12 bit NPN DO withdigital isolation Reserve 1xI210 network port (without parts)
Mechanical	Dimensions (WxHxD)	PAC-3010: 59*210*150 mm(without bracket), 59*245*150 mm(with bracket); PAC-3011: 74*210*150 mm(without bracket), 74*245*150 mm(with bracket)
	Weight	2.1KG
	Mounting	Wall-mounting
Environment	Operating Temp.	-10°C~55°C
	Storage Temp.	-40~85°C
	Humidity	95%@40°C (non-condensing)
	Shock	With SSD: 15G, IEC 60068-2-27, half sine, 11ms duration
	Vibration	With SSD:2Grms, IEC 60068-2-64, random, 5~500Hz, 1 hr/axis

Model	CPU	Display	DIMM	ENET	ECAT	USB 3.0	USB 2.0	DI	DO	COM	mPCIe/MSATA
PAC-3010	J6412	1	1	2	1	2	2	2	2	3	1/1 0/2
PAC-3011	J6412	1	1	2	1	2	2	18	14	3	1/1 0/2

■ Packing List

Part Number	Description	Quantity
PAC-3010/PAC-3011	PAC-3010/PAC-3011 controller system	1