

IVS-170

Intel® Elkhart Lake / Alder Lake-U/H110
Integrated Computing Panel PC



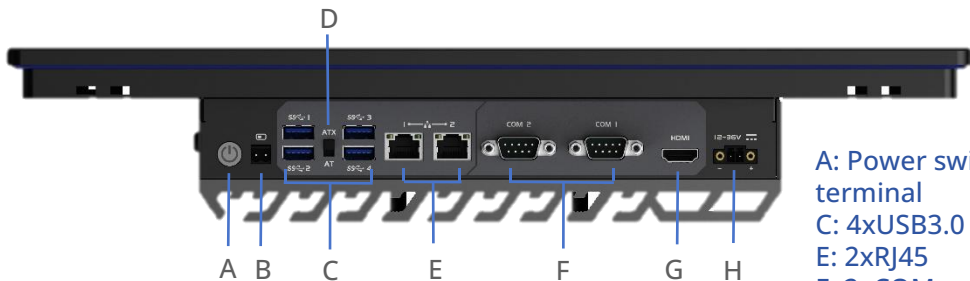
Features

- 17-inch LED-backlit display, resolution 1280x1024
- Optional capacitive/resistive touchscreen, supports 10-point touch
- Optional Intel® Elkhart Lake / Alder Lake-U/H110 platform
- 2 x Gigabit Ethernet interfaces or 4 network ports
- 2 x RS232/422/485 interfaces, surge protection included
- DC 12-36V wide voltage input, supports reverse polarity/short circuit/overvoltage/overcurrent protection



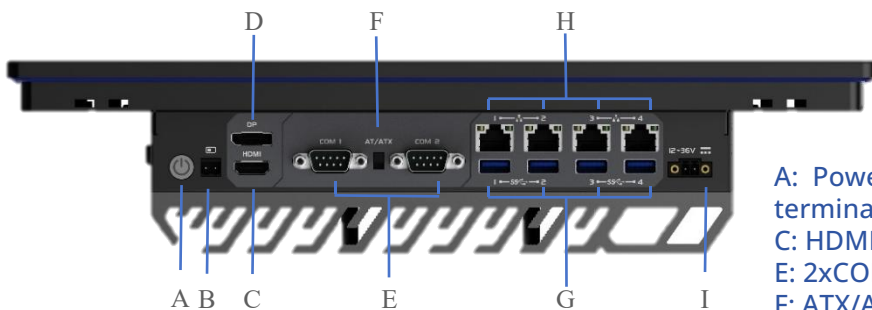
Product View

Configured with Module I



- A: Power switch terminal
- B: Remote switch
- C: 4xUSB3.0
- D: ATX/AT Switch
- E: 2xRJ45
- F: 2xCOM, optional RS232/422/485
- G: HDMI
- H: DC IN

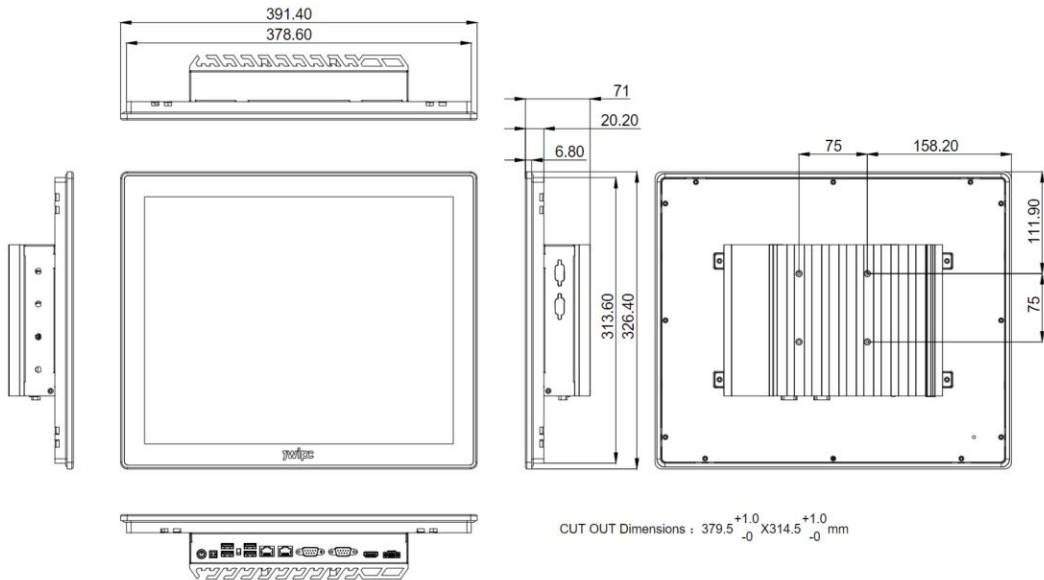
Configured with Modules II and III



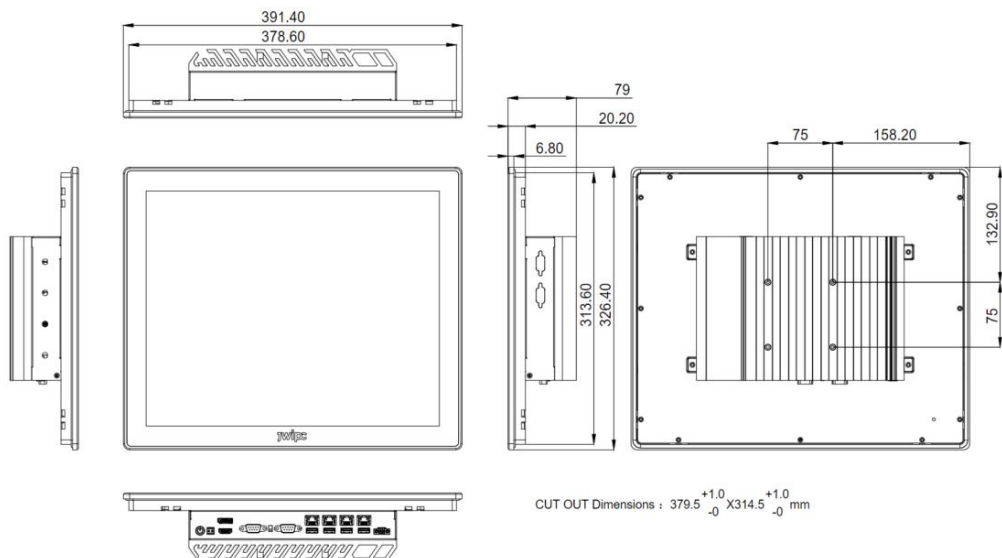
- A: Power switch terminal
- B: Remote switch
- C: HDMI
- D: DP
- E: 2xCOM, optional RS232/422/485
- F: ATX/AT Switch
- G: 4xUSB3.0
- H: 4xRJ45
- I: DC IN

■ Dimensions

Configured with Module I



Configured with Modules II and III



| Configurations | Configurations | Module I | Module II | | | Module III |
|-------------------------|--|---|---|-----------------------|-----------------------|---|
| Processor | CPU | Intel® Celeron® J6412 | Intel® Core™ i3-1215U | Intel® Core™ i5-1235U | Intel® Core™ i7-1255U | Supports Intel® Core™ 6th/7th/8th/9th Gen i7/i5/i3 and Pentium®/Celeron® LGA1151 type CPUs. Max.65W TDP |
| | Core Count/Thread Count | 4/4 | 2P+4E | 2P+8E | 2P+8E | |
| | Base Frequency | 2.00 GHz | 1.2 GHz | 1.3 GHz | 1.7 GHz | |
| | Turbo Frequency | 2.60 GHz | 4.4 GHz | 4.4 GHz | 4.7 GHz | |
| | Smart Cache | 1.5 | 10 | 12 | 12 | |
| | TDP | 10W | 15W | 15W | 15W | |
| | Memory | 1 x SO-DIMM DDR4-3200, supports up to 16GB | 1 x SO-DIMM DDR5-4800, supports up to 32GB | | | 1 x SO-DIMM DDR4-3200, supports up to 16GB |
| | Storage | 1 x M.2 2242/2280 SATA protocol 1 x 7+15Pin SATA3.0 protocol interface | 1 x M.2 2242/2280 NVMe protocol 1 x 7+15Pin SATA3.0 protocol interface | | | 1 x M.2 2242/2280 SATA protocol 1 x 7+15Pin SATA3.0 protocol interface |
| | Network | 1x Intel I210AT, 1 x Intel I226-v | 3 x Intel I226-V, 1 x Intel I210AT Ethernet port (4 Ethernet ports optional with POE motherboard) | | | |
| | I/O Interfaces | 2 x optional RS232/422/485, 4xUSB3.0, 1 x remote switch | 2 x optional RS232/422/485, 4xUSB3.2, 2x RS232 (optional), 1x remote switch | | | |
| | Display Interface | 1 * HDMI1.4b | 1 x HDMI1.4b. 1 x DP1.2 | | | |
| Expansion | 1 x M.2 Key E 2230 slot, expandable for WiFi 6 wireless module; 1 x M.2 Key B 3052/3042 slot, expandable for 4G/5G modules | | | | | |
| LCD Screen | Aspect Ratio | 5:4 | | | | |
| | Resolution | 1280x1024 | | | | |
| | Luminance | 250 cd/m2 | | | | |
| | Contrast Ratio | 1000:1 | | | | |
| | Backlight Life | 50000 h | | | | |
| | Angle of View | 85 (left), 85 (right), 85 (top), 85 (bottom) | | | | |
| Touch Screen | Type | 10-point capacitive screen | | | | |
| | Luminousness | Above 81% (resistive screen > 80%) | | | | |
| | Lifespan | 50 million touches (resistive single point 10 million touches) | | | | |
| Power Requirements | Input Voltage | DC 12-36V, supports reverse polarity/short circuit/overvoltage/overcurrent protection | | | | |
| Physical Specifications | Dimensions | 391.4mm x 326.4mm x 71mm (thickness with motherboards two and three is 79mm) | | | | |
| | Weight | TBD | | | | |
| Operating System | Operating System | Windows 7 (Module III), Windows 10, Windows 11, Linux | | | | |
| Environment | Operating Temperature (OP) | 0 ~ 50 °C(32~122 F) | | | | |
| | Operating Relative Humidity | 95% @ 40 °C (non-condensing) | | | | |
| | Storage Temperature (NOP) | -20 ~ 60 °C (-4 ~ 140 F) | | | | |
| | Shock Resistance (OP) | 15g 11ms half-sine wave | | | | |
| | Vibration Resistance (OP) | 5~500Hz 1Grms | | | | |
| | EMC | CE Class A | | | | |
| | IP Rating | IP65 front panel | | | | |

| Model | Processor | Touch screen type | Resolution | Memory | Storage | LAN | USB3 | COM |
|------------------------|------------------|-------------------|------------|--------|---------|-----|------|-----|
| IVS-170C3-EHL-8FB-01 | Celeron® J6412 | Capacitive Screen | 1280x1024 | 8 GB | 256 GB | 2 | 4 | 2 |
| IVS-170C5-ADL3-8FB-01 | Core i3 i3-1215U | Capacitive Screen | 1280x1024 | 8 GB | 256 GB | 4 | 4 | 4 |
| IVS-170C5-ADL5-8FB-01 | Core i5 i5-1235u | Capacitive Screen | 1280x1024 | 8 GB | 256 GB | 4 | 4 | 4 |
| IVS-170C5-ADL7-8FB-01 | Core i7 i7-1255u | Capacitive Screen | 1280x1024 | 8 GB | 256 GB | 4 | 4 | 4 |
| IVS-170C7-H1105-8FB-01 | Core i5 i5-8500 | Capacitive Screen | 1280x1024 | 8 GB | 256 GB | 4 | 4 | 4 |

■ Packing List

| Accessory Number | Description |
|------------------|---|
| 300600016156 | Power Adapter, DA-90J19, 90W, AC100~240V, 19V, 4.74A, Phoenix Terminal, CCC/CE/FCC, 0~40° C, PK, APD |
| 301800000605 | Flat Cable, Power, External Power Cable - L=1.5 m, National Standard Three-prong XBH-G31 with Hexagonal Tail XBH-2C5, RVV 300/500V, 3X0.75 mm ² , Black, PK, RoHS, XBH |
| 302700002073 | Certificate of Conformity, Certificate of Conformity (Green Triangle) |

■ Optional Accessories

| Accessories | Description |
|-------------------------|--|
| DDR4 Memory | SO-DIMM supports up to 16GB, suitable for Module I, III |
| DDR5 Memory | SO-DIMM supports up to 32GB, suitable for Module II |
| Storage | M.2 SSD supports 128GB, 256GB, 512GB, 1TB, 2TB |
| Storage | 2.5-inch HDD expansion supports 128GB, 256GB, 512GB, 1TB, 2TB |
| 4G/5GModule | 4G/5GModule with Antenna |
| WiFi & Bluetooth Module | WiFi & Bluetooth Module with Antenna |
| Embedded Clips | Metal Structure, Fixed_button, Fixed_button_Assembly, SUS304, T=3.0, 24x21.7x23mm, Satin Finish 180 grit, Original Color |