

# IVS-156

Intel® Elkhart Lake / Alder Lake-U/H110  
Integrated Computing Panel PC



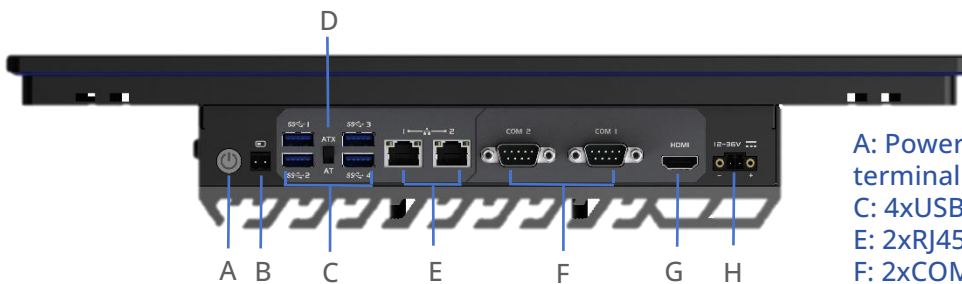
## Features

- 15.6-inch LED-backlit display, resolution 1920x1080
- Optional capacitive/resistive touchscreen, supports 10-point touch
- Optional Intel® Elkhart Lake / Alder Lake-U/H110 platform
- 2 x Gigabit Ethernet interfaces or 4 network ports
- Supports 2 x RS232/422/485 interfaces, surge protection included
- DC 12-36V wide voltage input, supports reverse polarity/short circuit/overvoltage/overcurrent protection



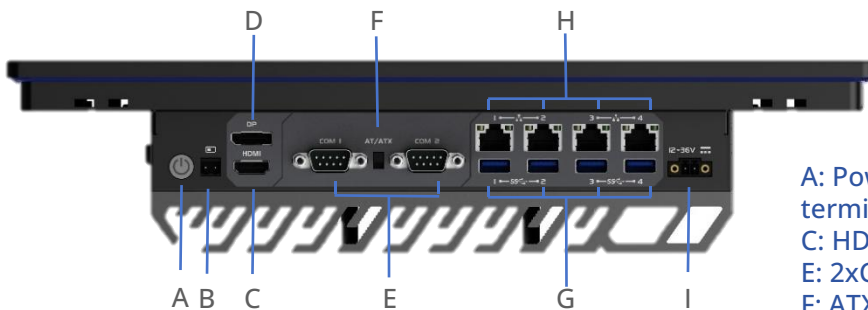
## Product View

### Configured with Module I



- A: Power switch    B: Remote switch terminal  
C: 4xUSB3.0        D: ATX/AT Switch  
E: 2xRJ45  
F: 2xCOM, optional RS232/422/485  
G: HDMI  
H: DC IN

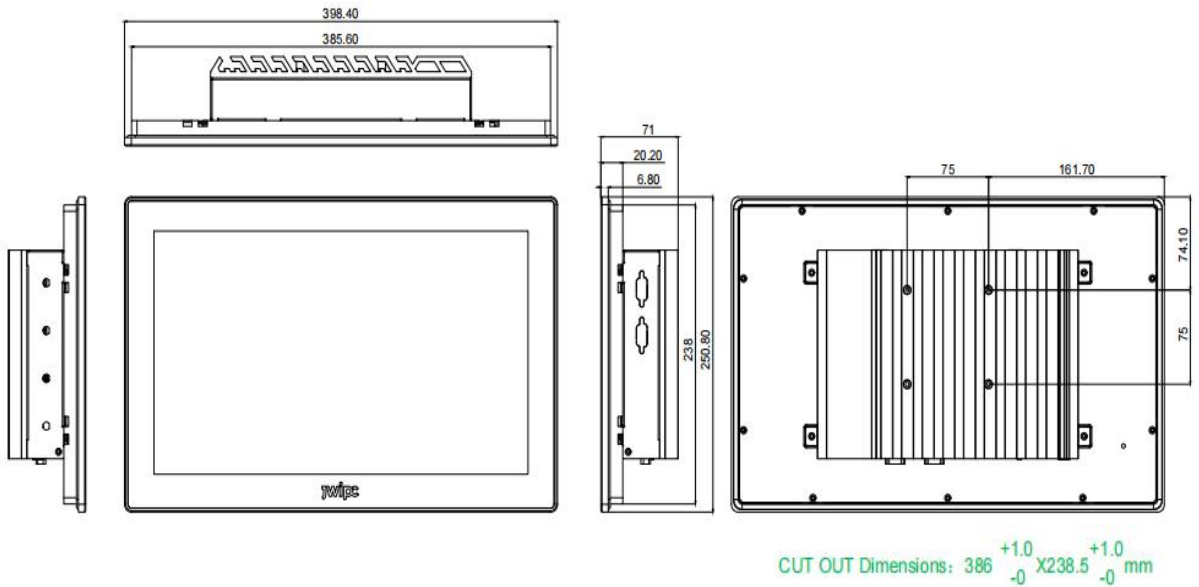
### Configured with Modules II and III



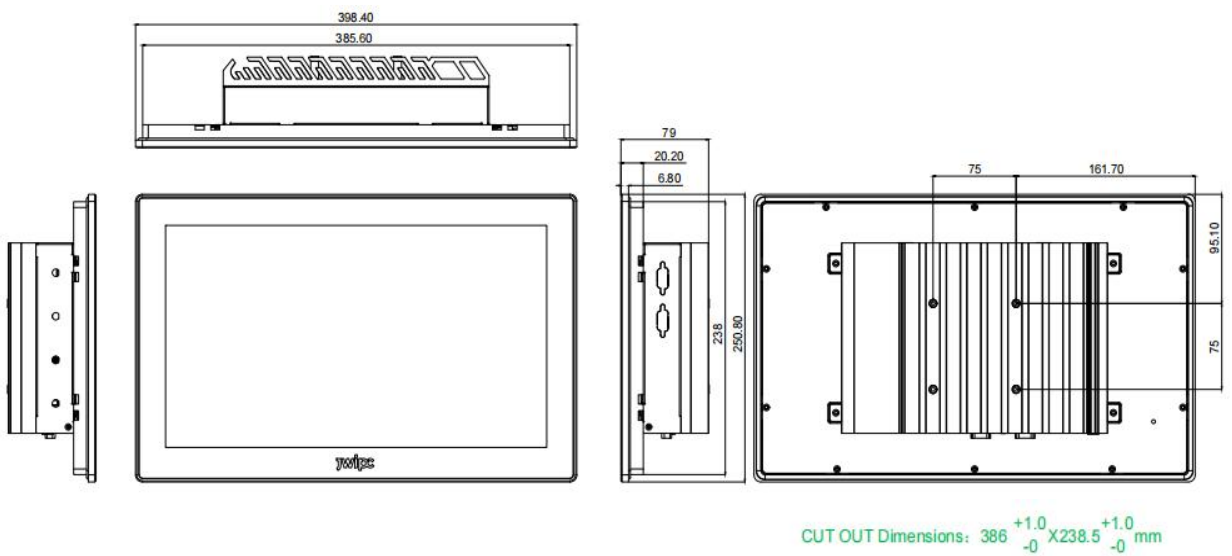
- A: Power switch    B: Remote switch terminal  
C: HDMI            D: DP  
E: 2xCOM, optional RS232/422/485  
F: ATX/AT Switch    G: 4xUSB3.0  
H: 4x RJ45         I: DC IN

### ■ Dimensions

Configured with Module I



Configured with Modules II and III



Configurations	Configurations	Module I	Module II			Module III
Processor	CPU	Intel® Celeron® J6412	Intel® Core™ i3-1215U	Intel® Core™ i5-1235U	Intel® Core™ i7-1255U	Supports Intel® Core™ 6th/7th/8th/9th Gen i7/i5/i3 and Pentium®/Celeron® LGA1151 type CPUs. Max.65W TDP
	Core Count/Thread Count	4/4	2P+4E	2P+8E	2P+8E	
	Base Frequency	2.00 GHz	1.2 GHz	1.3 GHz	1.7 GHz	
	Turbo Frequency	2.60 GHz	4.4 GHz	4.4 GHz	4.7 GHz	
	Smart Cache	1.5	10	12	12	
	TDP	10W	15W	15W	15W	
	Memory	1 x SO-DIMM DDR4-3200, supports up to 16GB	1 x SO-DIMM DDR5-4800, supports up to 32GB			1 x SO-DIMM DDR4-3200, supports up to 16GB
	Storage	1 x M.2 2242/2280 SATA protocol 1 x 7+15Pin SATA3.0 protocol interface	1 x M.2 2242/2280 NVMe protocol 1 x 7+15Pin SATA3.0 protocol interface			1 x M.2 2242/2280 SATA protocol 1 x 7+15Pin SATA3.0 protocol interface
	Network	1x Intel I210AT, 1 x Intel I226-v	3 x Intel I226-V, 1 x Intel I210AT Ethernet port (4 Ethernet ports optional with POE motherboard)			
	I/O Interfaces	2 x optional RS232/422/485, 4xUSB3.0, 1 x remote switch	2 x optional RS232/422/485, 4xUSB3.2, 2x RS232 (optional), 1x remote switch			
Display Interface	1 * HDMI1.4b	1 x HDMI1.4b. 1 x DP1.2				
Expansion	1 x M.2 Key E 2230 slot, expandable for WiFi 6 wireless module; 1 x M.2 Key B 3052/3042 slot, expandable for 4G/5G modules					
LCD Screen	Aspect Ratio	16:9				
	Resolution	1920x1080				
	Luminance	300 cd/m2				
	Contrast Ratio	800:1				
	Backlight Life	15000 h				
	Angle of View	85 (left), 85 (right), 85 (top), 85 (bottom)				
Touch Screen	Type	10-point capacitive screen (optional 5-wire high-temperature resistive screen)				
	Luminousness	Above 81% (resistive screen > 80%)				
	Lifespan	50 million touches (resistive single point 10 million touches)				
Power Requirements	Input Voltage	DC 12-36V, supports reverse polarity/short circuit/overvoltage/overcurrent protection				
Physical Specifications	Dimensions	398.4mmx250.8mmx71mm (thickness with motherboards two and three is 79mm)				
	Weight	TBD				
Operating System	Operating System	Windows 7 (Module III), Windows 10, Windows 11, Linux				
Environment	Operating Temperature (OP)	0 ~ 50 °C(32~122 F )				
	Operating Relative Humidity	95% @ 40 °C (non-condensing)				
	Storage Temperature (NOP)	-20 ~ 60 °C (-4 ~ 140 F )				
	Shock Resistance (OP)	15g 11ms half-sine wave				
	Vibration Resistance (OP)	5~500Hz 1Grms				
	EMC	CE Class A				
	IP Rating	IP65 front panel				

Model	Processor	Touch screen type	Resolution	Memory	Storage	LAN	USB3	COM
IVS-156C3-EHL-8FB-01	Celeron® J6412	Capacitive Screen	1920x1080	8 GB	256 GB	2	4	2
IVS-156C5-ADL3-8FB-01	Core i3 i3-1215U	Capacitive Screen	1920x1080	8 GB	256 GB	4	4	4
IVS-156C5-ADL5-8FB-01	Core i5 i5-1235u	Capacitive Screen	1920x1080	8 GB	256 GB	4	4	4
IVS-156C5-ADL7-8FB-01	Core i7 i7-1255u	Capacitive Screen	1920x1080	8 GB	256 GB	4	4	4
IVS-156C7-H1105-8FB-01	Core i5 i5-8500	Capacitive Screen	1920x1080	8 GB	256 GB	4	4	4

## ■ Packing List

Accessory Number	Description
300600016156	Power Adapter, DA-90J19, 90W, AC100~240V, 19V, 4.74A, Phoenix Terminal, CCC/CE/FCC, 0~40° C, PK, APD
301800000605	Flat Cable, Power, External Power Cable - L=1.5 m, National Standard Three-prong XBH-G31 with Hexagonal Tail XBH-2C5, RVV 300/500V, 3X0.75 mm <sup>2</sup> , Black, PK, RoHS, XBH
302700002073	Certificate of Conformity, Certificate of Conformity (Green Triangle)

## ■ Optional Accessories

Accessories	Description
DDR4 Memory	SO-DIMM supports up to 16GB, suitable for Module I, III
DDR5 Memory	SO-DIMM supports up to 32GB, suitable for Module II
Storage	M.2 SSD supports 128GB, 256GB, 512GB, 1TB, 2TB
Storage	2.5-inch HDD expansion supports 128GB, 256GB, 512GB, 1TB, 2TB
4G/5GModule	4G/5GModule with Antenna
WiFi & Bluetooth Module	WiFi & Bluetooth Module with Antenna
Embedded Clips	Metal Structure, Fixed_button, Fixed_button_Assembly, SUS304, T=3.0, 24x21.7x23mm, Satin Finish 180 grit, Original Color