

OVS-121

Intel® Elkhart Lake / Alder Lake-U/H110 Open Frame Data Visualization System



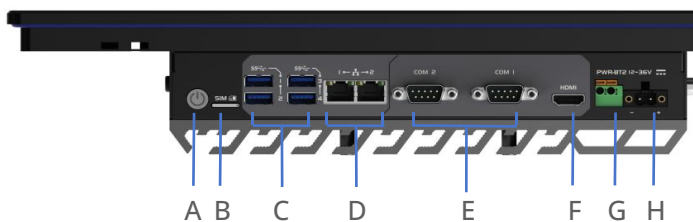
Features

- 12.1-inch LED backlight display, resolution 1024x768
- Optional capacitive/resistive touch screen, supports 10-point touch
- Optional Intel® Baytrail / Elkhart Lake / Alder Lake-U platform
- 2 x 1000Mbps ethernet port or 4 x ethernet port
- 2 x RS232/422/485(bios setting)
- DC 12-36V wide voltage input, supports RVP/SCP/OVP/OCP



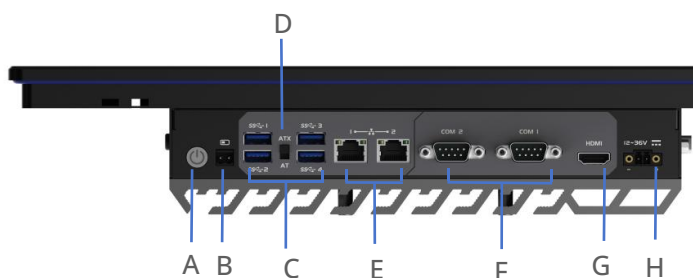
■ Product View

Computing module 1



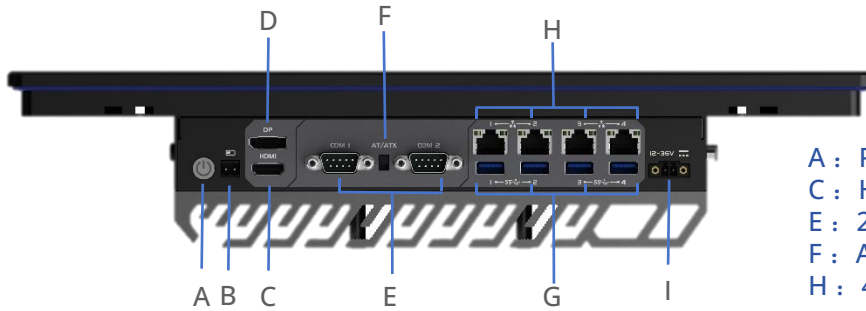
- A : Power switch
- B : SIM card slot
- C : 4xUSB3.0
- D : RJ45x2
- E : 2xCOM, optional RS232/422/485
- F : HDMI
- G : Remote switch terminal
- H : DC IN

Computing module 2



- A : Power switch
- B : Remote switch terminal
- C : 4xUSB3.0
- D : ATX/AT switch
- E : 2xRJ45
- F : 2xCOM, optional RS232/422/485
- G : HDMI
- H : DC IN

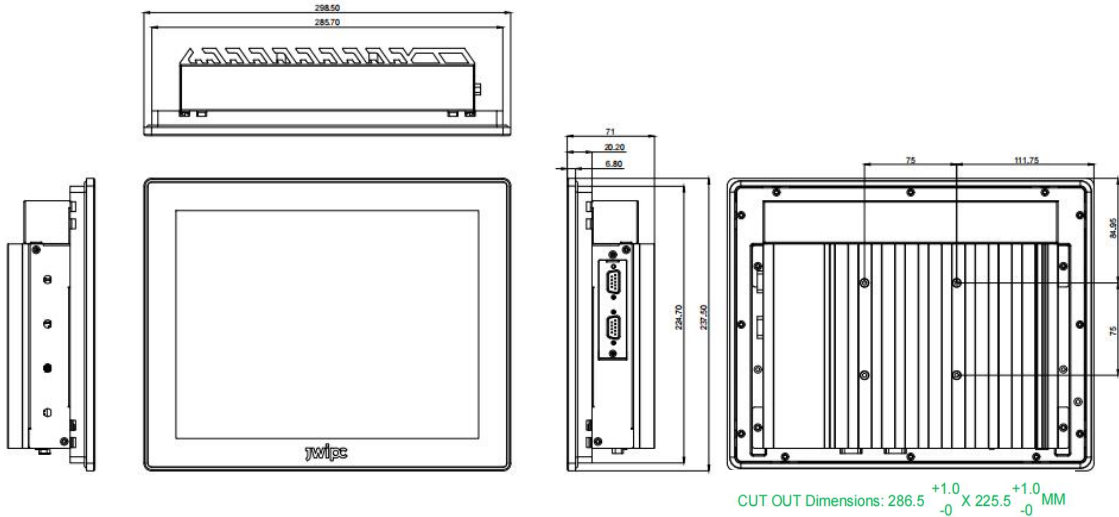
Computing module 3&4



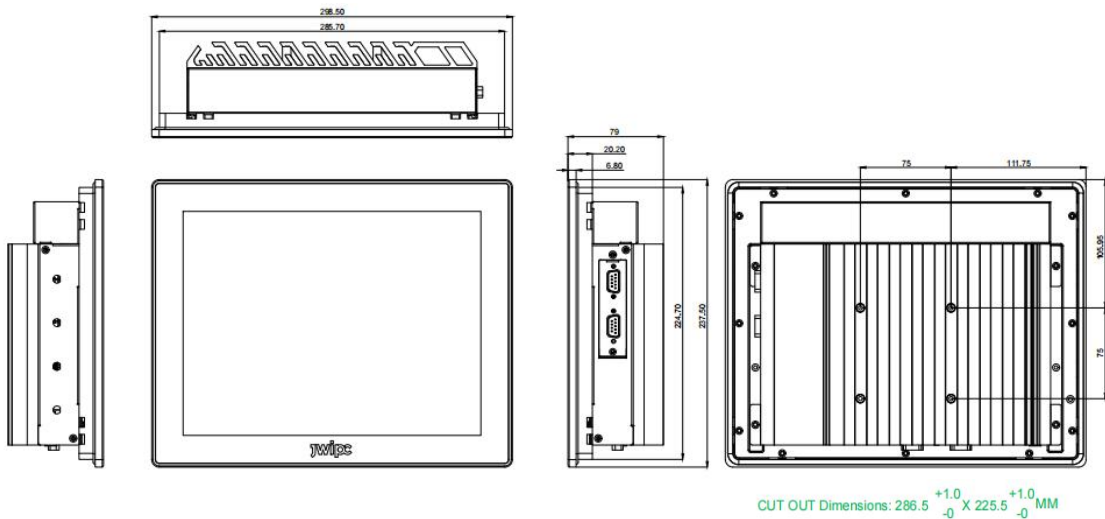
- A : Power button B : remote switch
- C : HDMI D : DP
- E : 2xCOM, optional: RS232/422/485
- F : ATX/AT G : 4xUSB3.0
- H : 4x RJ45 I : DC IN

■ Dimensions

With computing module 1 & 2



With computing module 3 & 4



Module	Module	Module One	Module Two	Module Three			Module Four
Processor	CPU	Intel® Celeron® J1900	Intel® Celeron® J6412	Intel® Core™ i3-1215U	Intel® Core™ i5-1235U	Intel® Core™ i7-1255U	Intel® Core™ 6/7/8/9代 i7/i5/i3 and Pentium® / Celeron® LGA1151 type CPU. Max.65W TDP
	Cores /Total Threads	4/4	4/4	2P+4E	2P+8E	2P+8E	
	Base Frequency	2.00 GHz	2.00 GHz	1.2 GHz	1.5 GHz	1.7 GHz	
	Turbo Frequency	2.42 GHz	2.60 GHz	4.4 GHz	4.4 GHz	4.7 GHz	
	Smart Cache	2	1.5	10	12	12	
	TDP	10W	10W	15W	15W	15W	
Memory Solt	Memory Solt	1 x SO-DIMM DDR3L-1333, Max. 8GB	1 x SO-DIMM DDR4-3200, Max. 32GB	1 x SO-DIMM DDR5-4800 Max. 32GB			1 x SO-DIMM DDR4-3200, Max. 32GB
Storage	Storage	1 x M.2 2242/2280 SATA interface 1 x 7+15Pin SATA3.0 interface		1 x M.2 2242/2280 Nvme interface 1 x 7+15Pin SATA3.0 interface			1 x M.2 2242/2280 SATA interface 1 x 7+15Pin SATA3.0 interface
I/O Interface	Network(LAN)	2 x Intel I210AT	1x Intel I210AT, 1 x Intel I226-v	3 x intel I226-V, 1 x Intel I210AT (POE is optional)			
	I/O Interface	2 x optional RS232/422/485, 4xUSB3.0, 1x SIM slot, 1 x remote switch	2 x optional RS232/422/485, 4xUSB3.0, 1 x remote switch	2 x optinal RS232/422/485, 4xUSB3.2, 2x isolation RS232 (optional) , 1xremote switch			
	Display Interface	1 x HDMI1.4b		1 x HDMI1.4b, 1 x DP1.2			
	Expansion Slot	1 x M.2 Key E 2230 slot, Support WIFI 6 Module; 1 x M.2 Key B 3052/3042 slot, Support 4G/5G Module					
LCD Display	Aspect Ratio	4:3					
	Resolution	1024 x 768					
	Brightness (nits)	500 cd/m2					
	Contrast Ratio	1200:1					
	Backlight Lifespan	50000 hours					
Touch Screen	View Angle	88 (L), 88 (R), 88 (U), 88 (D)					
	Touch Type	10-point capacitive screen (optional 5-wire high-temperature resistive screen)					
	Transmittance	>81%(>78% for 5-Wire Resistive)					
Power	Lifespan	50 Million Times (10 Million Times for 5-Wire Resistive)					
	Power Input	DC 12-36V, Support RVP/SCP/OVP/OCP					
Physical Parameters	Dimensions (L×W×H)	298.5X237.5X71mm (With Module Three or Four, Height is 79mm)					
Operating System	OS	Windows 7 (Module One&Four), Windows 10, Windows 11, Linux					
Environment	Operating Temperature (OP)	0 ~ 50 °C (32~122 °F) Use the normal grade Ram&SSD -20 ~ 60 °C (-4 ~ 140 °F) Use the industry grade Ram&SSD					
	Operating Relative Humidity	95% @ 40 °C (non-condensing)					
	Storage Temperature (NOP)	-20 ~ 60 °C (-4 ~ 140 °F)					
	Shock (OP)	15g 11ms 1Grms					
	Vibration (OP)	5~500Hz 1Grms					
	EMC	CE Class A					
	IP Degree	Front Panel IP65					

Model	Processor	Touch Type	Resolution	Memory	Storage	LAN	USB3	COM
OVS-121C3-EHL-8FB-01	Celeron® J6412	Capacitive	1024 x 768	8GB	256GB	2	4	2
OVS-121C5-ADL3-8FB-01	Core i3 i3-1215U	Capacitive	1024 x 768	8GB	256GB	4	4	4
OVS-121C5-ADL5-8FB-01	Core i5 i5-1235u	Capacitive	1024 x 768	8GB	256GB	4	4	4
OVS-121C5-ADL7-8FB-01	Core i7 i7-1255u	Capacitive	1024 x 768	8GB	256GB	4	4	4
OVS-121C7-H1105-8FB-01	Core i5 i5-8500	Capacitive	1024 x 768	8GB	256GB	4	4	4

■ Packing List

Part No.	Description
300600016156	Power Adapter, DA-90J19, 90W, AC100~240V, 19V, 4.74A, Phoenix Terminal, CCC/CE/FCC, 0~40°C, PK, APD
301800000605	Flat Cable, Power, external power cord-L=1.5M, national standard three-plug XBH-G31 with plum blossom tail XBH-2C5, RVV 300/500V, 3X0.75mm ² , black, PK, RoHS, XBH
302700002073	Certificate of conformity, Certificate of Conformity (green triangle)

■ Optional accessories

Spare Part	Description
DDR3L Memory	SO-DIMM Max. 8GB , For Module One
DDR4 Memory	SO-DIMM Max. 32GB, For Module Two&Four
DDR5 Memory	SO-DIMM Max. 32GB, For Module Three
Storage	M.2 SSD support 128GB, 256GB, 512GB, 1TB, 2TB
Storage	2.5-inch hard drive expansion supports 128GB, 256GB, 512GB, 1TB, 2TB
4G/5GModule	4G/5GModule with Antenna
WiFi & Bluetooth Module	WiFi & Bluetooth Module with Antenna
MXIO expansion card 1	2*Iso. RS232 COM, DB9 connector
MXIO expansion card 2	2*CAN, 4*Iso. DI, 4*Iso. DO, dual-layer European terminal
MXIO expansion card 3	4*Iso. DI, 4*Iso. DO, 4*light source interface
POE power supply card	POE power supply module can ensure single-channel 25W power supply Supports IEEE 802.3AT protocol, single port 25w (max), 4 ports maximum power 60w
Embedded Clip	Metal structure, Fixed_button, Fixed_button_Assembly, SUS304, T=3.0, 24x21.7x23mm, brushed 180 mesh, natural color