

OVS-150

Intel® Elkhart Lake / Alder Lake-U/H110 Open Frame Data Visualization System



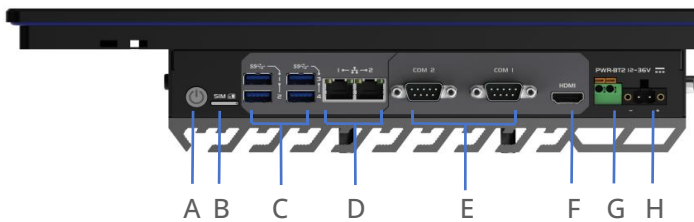
Features

- 15- inch LED backlit display, resolution 1024x768
- Optional capacitive / resistive touch screen, supports 10 -point touch
- Optional Intel® Baytrail / Elkhart Lake / Alder Lake-U platform
- Support 2 x Gigabit Ethernet interfaces or four network ports
- Support 2 x RS232/422/485 interfaces, with surge protection
- DC 12-36V wide voltage input, supports RVP/SCP/OVP/OCP



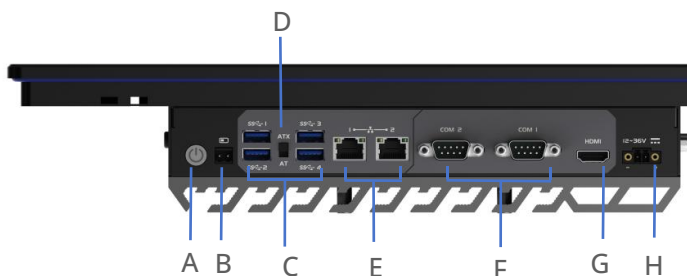
■ Product View

Computing module 1



- A : Power switch
- B : SIM card slot
- C : 4xUSB3.0
- D : RJ45x2
- E : 2xCOM, optional RS232/422/485
- F : HDMI
- G : Remote switch terminal
- H : DC IN

Computing module 2

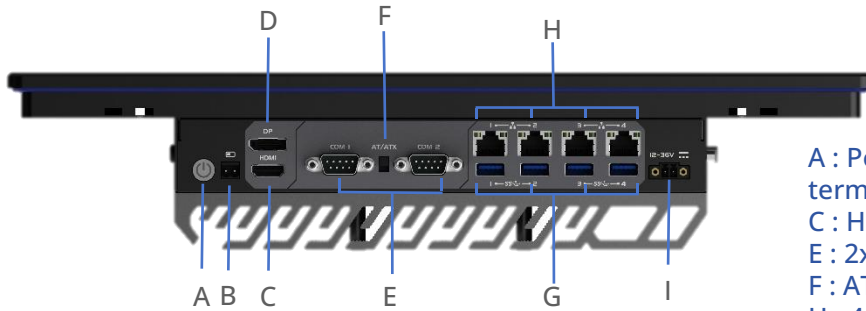


- A : Power switch
- B : Remote switch terminal
- C : 4xUSB3.0
- D : ATX/AT switch
- E : 2xRJ45
- F : 2xCOM, optional RS232/422/485
- G : HDMI
- H : DC IN

OVS-150

Intel® Elkhart Lake / Alder Lake-U/H110 Open Frame Data Visualization System

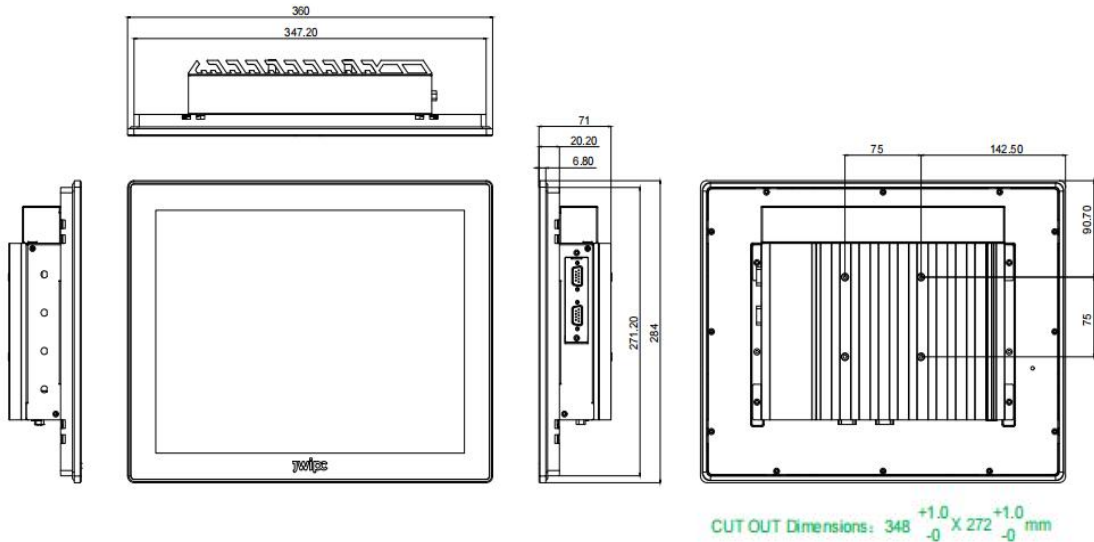
Computing modules three and four



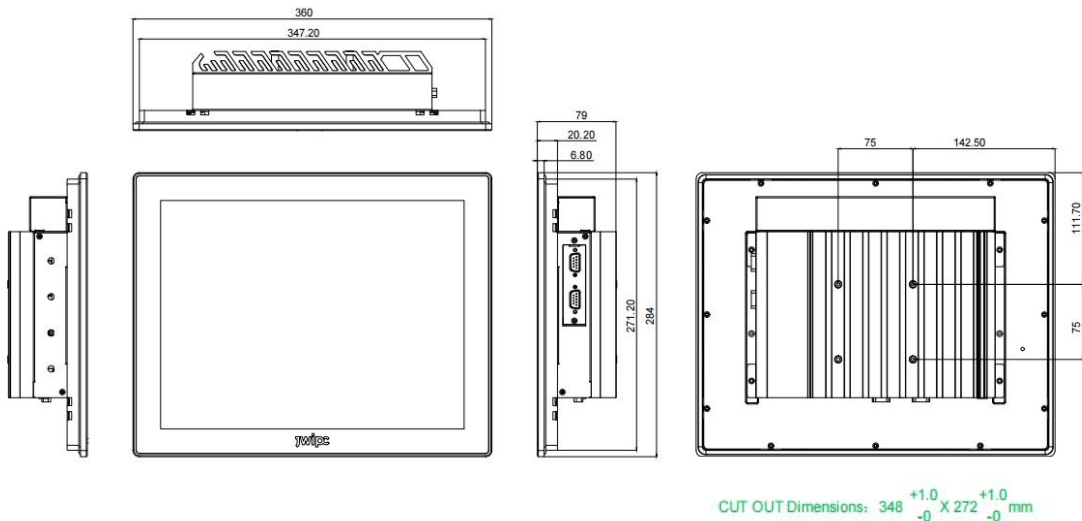
- A : Power switch
- B : Remote switch terminal
- C : HDMI
- D : DP
- E : 2xCOM, optional RS232/422/485
- F : ATX/AT switch
- G : 4xUSB3.0
- H : 4x RJ45
- I : DC IN

■ Dimensions

With computing module 1 & 2



With computing modules 3 & 4



Specifications

OVS-150

Modules	Modules	Module 1	Module 2	Module 3			Module 4
processor	CPU	Intel® Celeron® J1900	Intel® Celeron® J6412	Intel® Core™ i3-1215U	Intel® Core™ i5-1235U	Intel® Core™ i7-1255U	Supports Intel® Core™ 6/7/8/9 generation i7/i5/i3 and Pentium® / Celeron® LGA1151 type CPU. Max.65W TDP
	Number of cores / threads	4/4	4/4	2P+4E	2P+8E	2P+8E	
	Frequency	2.00 GHz	2.00 GHz	1.2 GHz	1.5 GHz	1.7 GHz	
	Turbo	2.42 GHz	2.60 GHz	4.4 GHz	4.4 GHz	4.8 GHz	
	Smart Cache	2	1.5	10	12	12	
	TDP	10W	10W	15W	15W	15W	
Memory	Memory	1 x SO-DIMM DDR3L - 1333, up to 8GB	1 x SO-DIMM DDR4 - 3200, up to 32GB	1 x SO-DIMM DDR5 - 4800 supports up to 32GB			1 x SO-DIMM DDR4 - 3200, up to 32GB
storage	storage	1 x M.2 2242/2280 SATA protocol interface 1 x 7+15Pin SATA3.0 protocol interface		1 x M.2 2242/2280 Nvme Protocol Interface 1 x 7+15Pin SATA3.0 protocol interface			1 x M.2 2242/2280 SATA Protocol 1 x 7+15Pin SATA3.0 protocol interface
I/O Interface	network	2 x Intel I210AT	1 x Intel I210AT , 1 x Intel I226-v	3 x Intel I226-V , 1 x Intel I210AT network port (4 network ports with optional POE module)			
	I/O Interface	2 x optional RS232/422/485 , 4 x USB3.0 , 1 x SIM card slot, 1 x remote switch	2 x optional RS232/422/485 , 4 x USB3.0, 1 x remote switch	2 x optional RS232/422/485 , 4xUSB3.2 , 2x isolated RS232 (optional) , 1x remote switch			
	Display Interface	1 x HDMI1.4b		1 x HDMI1.4b , 1 x DP1.2			
	Extensions	1 x M.2 Key E 2230 slot, for WiFi module; 1 x M.2 Key B 3052/3042 slot, for 4G/5G module					
LCD Display	Proportion	4:3					
	Resolution	1024 x 768					
	brightness	350 cd/m2					
	Contrast	1000:1					
	Backlight life	50,000 hours					
	Perspective	89 (left), 89 (right), 89 (top), 89 (bottom)					
	Touchscreen	type	10- point capacitive screen (optional 5- wire high-temperature resistance screen)				
Transmittance		More than 81% (resistive screen >80%)					
life cycle		50 million times (10 million times for single resistor point)					
Power	Input voltage	DC 12-36V, RVP/SCP/OVP/OCP					
Mechanical	Dimensions (L x W x D)	360X284X71MM (with module three or four, the thickness is 79MM)					
OS	OS	Windows 7 (Modules 1 and 4), Windows 10, Windows 11, Linux					
environment	Operating temperature (OP)	0 ~ 50 °C (32 ~ 122 °F), When using normal temperature storage memory -20 ~ 60 °C (-4 ~ 140 °F), When using wide temperature storage memory					
	Working relative humidity	95% @ 40 °C (non-condensing)					
	Storage Temperature (NOP)	-20 ~ 60 °C (-4 ~ 140 °F)					
	Impact resistance (OP)	15g 11ms half sine wave					
	Anti-vibration (OP)	5~500Hz 1Grms					
	EMC	CE Class A					
	IP Rating	IP65 front panel					

Model	processor	Touch screen	Resolution	Memory	storage	LAN	USB3	COM
OVS-150C3-BYT-8FB-01	Celeron® J1900	Capacitive screen	1024 x 768	8GB	256GB	2	4	2
OVS-150C3-EHL-8FB-01	Celeron® J6412	Capacitive screen	1024 x 768	8GB	256GB	2	4	2
OVS-150C5-ADL3-8FB-01	Core i3 i3-1215U	Capacitive screen	1024 x 768	8GB	256GB	4	4	4
OVS-150C5-ADL5-8FB-01	Core i5 i5-1235u	Capacitive screen	1024 x 768	8GB	256GB	4	4	4
OVS-150C5-ADL7-8FB-01	Core i7 i7-1255u	Capacitive screen	1024 x 768	8GB	256GB	4	4	4
OVS-150C7-H1105-8FB-01	Core i5 i5-8500	Capacitive screen	1024 x 768	8GB	256GB	4	4	4

■ Packing List

300600016156	Power adapter , DA-90J19, 90W, AC100~240V, 19V, 4.74A, Phoenix terminal , CCC/CE/FCC, 0~40°C, PK, APD
301800000605	Flat Cable,Power , External power cable - L=1.5M, National standard three-plug XBH-G31 with plum blossom tail XBH-2C5,RVV 300/500V,3X0.75mm2, Black , PK,RoHS,XBH
302700002073	Certificate of Conformity , Certificate of Conformity (green triangle)

■ Optional accessories

DDR3L Memory	SO-DIMM supports up to 8GB , suitable for module 1
DDR4 Memory	SO-DIMM supports up to 32GB and is suitable for modules 2 and 4
DDR5 Memory	SO-DIMM supports up to 32GB and is suitable for module 3
storage	M.2 SSD supports 128GB, 256GB, 512GB, 1TB, 2TB
storage	2.5- inch hard drive expansion supports 128GB, 256GB, 512GB, 1TB, 2TB
4G/5GModule	4G/5GModule with Antenna
WiFi & Bluetooth Module	WiFi & Bluetooth Module with Antenna
MXIO expansion card 1	2*Iso. RS232 COM , DB9 connector
MXIO expansion card 2	2*CAN , 4*Iso. DI , 4*Iso. DO , double-layer European terminal
MXIO Expansion Card 3	4*Iso. DI , 4*Iso. DO , 4* light source interface
POE power supply card	POE power supply module can ensure a single 25W power supply Support IEEE 802.3AT protocol, single port 25w (max) , 4 ports maximum 60w power
Embedded buckle	Metal structure , Fixed_button,Fixed_button_Assembly,SUS304,T=3.0,24x21.7x23mm, Brushed 180 mesh , Natural color