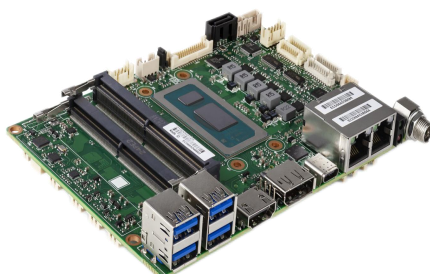


AIoT3-ADU

3.5" embedded industrial motherboard

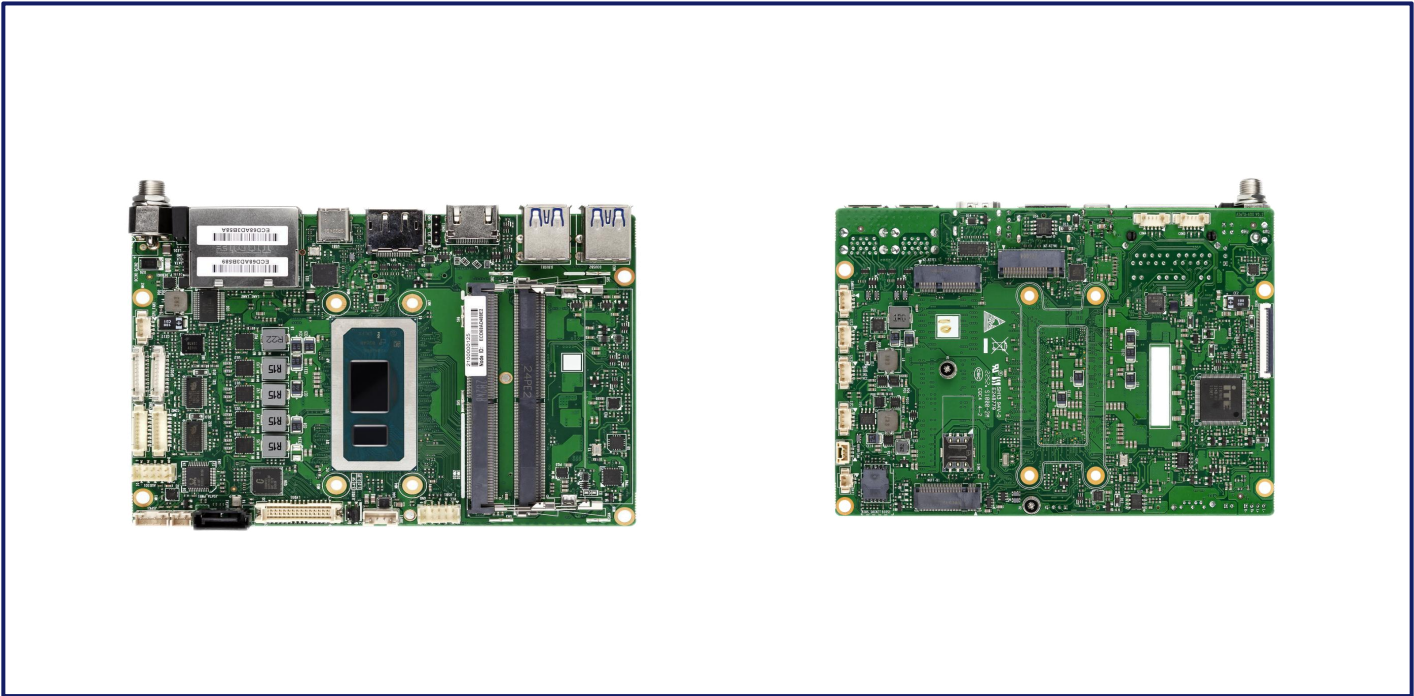


- Onboard Intel 12th Low Power Alder Lake U-Series CPU, Max TDP 15W
- 2xDDR5 4800MHz SO-DIMM, single 32GB, up to 64GB
- M.2 2280 Key-M for NVMe SSD
- M.2 3042 Key-B for 4G/5G, M.2 2230 Key-E for WiFi6, Wifi/BT module
- Independent quad display HDMI+DP+LVDS+USB Type-C Alt. Mode
- Dual high-speed Intel network chips
- 4 x USB 3.0 Gen1 & 1 x USB Type-C
- Industrial-grade port protection blocks static electricity and surges, and industrial-grade wide temperature specifications are available

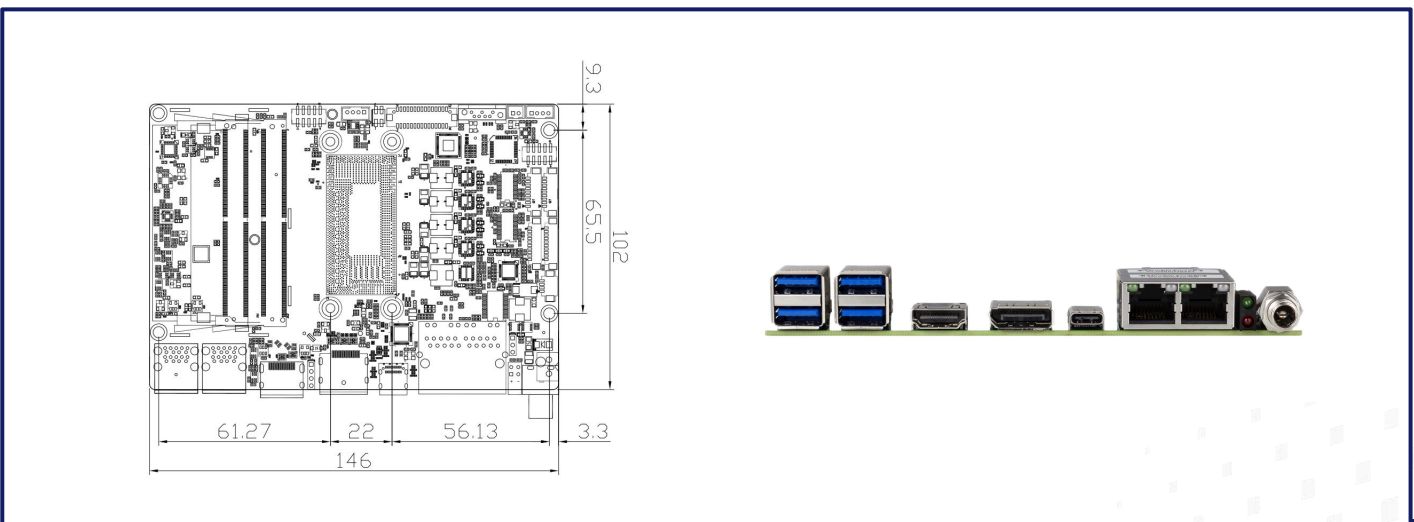
Specifications

CPU	Celeron 7305&7305E /1.0GHz/1P+4E/6T/8MB/15W or i3-1215U&1215UE /1.2-4.4GHz/2P+4E/8T/10MB/15W or i5-1235U&1245UE /1.5-4.4GHz/2P+8E/12T/12MB/15W or i7-1265U&1265UE /1.7-4.7GHz/2P+8E/12T/12MB/15W
Chipset	Intel Alder lake U SOC(On-package Intel 600 Series)
Memory	2× DDR5 SO-DIMM memory slots, up to DDR5-4800, up to 64GB
Display controller	Intel UHD for Gen12(i3) or Intel Iris® Xe Graphics(i5&i7)
Display interface	Quad display interface : HDMI+DP+LVDS+USB-C Alt. Mode 1 x LVDS: Dual Channel 18/24-bit, up to 1920 x 1200 1 x HDMI 2.0b, up to 4096 x 2160 x 24bpp@60Hz 1 x DP1.4a, up to 4096 x 2304 x 36bpp@60Hz 1 x USB Type-C support DP1.4a Alt. Mode
Storage	1↑SATA3.0+PWR 2pin 2.0mm 1↑M.2 2280 Key-M for NVMe SSD
Audio	Support Mic-in+Line-out (single-hole 2-in-1); Support digital audio output with power amplifier (3W, 4Pin wafer)
Network	2 Intel High Speed Ethernet ports: LAN1 i219V, LAN2 i226-V/LM (4KV surge protection)
USB	Rear Panel USB Type-C USB3.2 Gen2 (support DisplayPort1.4a Alt. Mode) 4 x USB3.2 Type-A on the rear board, and 2 x USB2.0 boards on the board
I ² C/I ² S/SMBus	3 x 4Pin I ² C, 1 x 4Pin SMBus, Wafer connector
COM	COM1, COM2 support RS232/422/485 (BIOS setting) COM3, COM4 support four-wire RS232
CAN	1 x 3Pin wafer CANBus 2.0
Digital I/O	8-bit digital I/O interface (1x10Pin wafer)
TPM/TCM	The on-board encryption chip SLB9670 supports TPM2.0
Expansion bus	1 x M.2 Key-B3042 supports 4G/5G wireless module (PCIe x1, USB2.0) 1 x M.2 Key-E 2230 (CNVI supported) Optional Expansion Cards: Mini-PCIe/2xCOM/1xUSB2.0/PS2KB&MS
Operating temperature and humidity	When using room temperature memory and storage: -10°C~60°C, relative humidity 10%~85%, atmospheric pressure 85~105kPa When using wide temperature memory and storage: -40~70°C, relative humidity 10%~85%, atmospheric pressure 85~105kPa
Non-operating temperature and humidity	Temperature: -40°C~85°C; The relative humidity is 5%~95% (40°C), and the atmospheric pressure is 85~105kPa
Watch Dog	255 levels of programmable seconds per minute with support for timeout interrupt or system reset
BIOS	AMI UEFI BIOS
Operating System	Windows10, Windows11, Linux Ubuntu 21.04
Power	DC 12V~24V DC-Jack (optional 2Pin Phoenix Terminal) Power switch, power indicator, storage indicator
PCB dimensions (L*W)	3.5 寸: 146mm(W)×102mm(D)

02 Product view



03 Dimensions



04 Product Selection

Product model	CPU	Memory	Display	Storage	USB3	USB2	COM	LAN	M.2
AIoT3-ADU05	7305	2	4	1	4	2	4	2	1
AIoT3-ADUi3	i3-1215U	2	4	1	4	2	4	2	1
AIoT3-ADUi5	i5-1235U	2	4	1	4	2	4	2	1
AIoT3-ADUi7	i7-1255U/ i7-1265U	2	4	1	4	2	4	2	1

Optional: AIoT3-ADU-MIO, Expansion Daughter Card with Adapter Cable/1x40Pin FPC Cable/Mini-PCIe/2xCOM/1xUSB2.0/PS2KB&MS